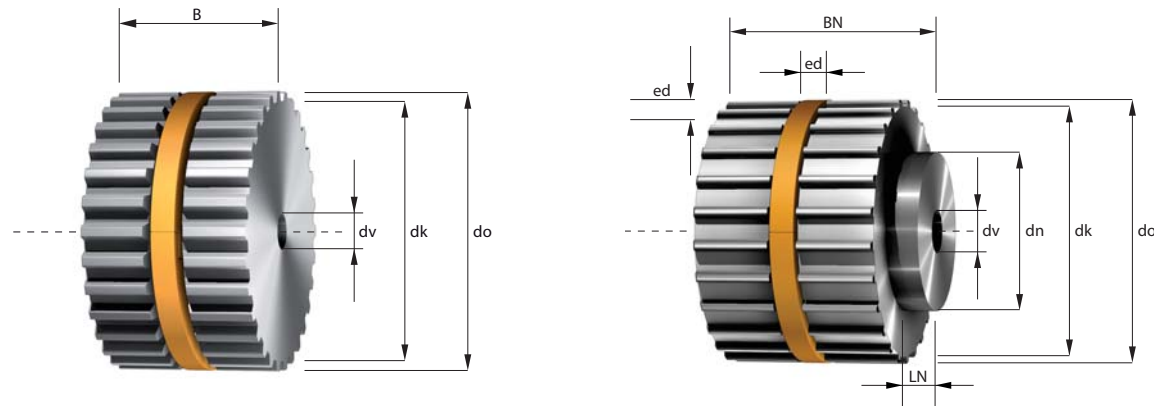


Synchronising pulleys easy drive® for cylindrical bore T-profile



- z = Number of teeth
- dk = Outside diameter
- do = Pitch diameter
- ed = easy drive® groove
- dv = Diameter of pre-bore
- dmax = max. bore diameter without feather key groove
- dh = Hub diameter
- wh = Hub width

Min. diameter of the tension rollers without contra-flexure 120 mm, with contra-flexure 150 mm.

| | | | | | | | | |
|--------------------------------|----|----|----|----|----|-----|-----|-----|
| Belt width = b (mm) | 16 | 25 | 32 | 50 | 75 | 100 | 125 | 150 |
| Total width = B (mm) | 18 | 27 | 34 | 52 | 77 | 102 | 127 | 152 |
| Total width with hub = BN (mm) | 28 | 37 | 44 | 62 | 87 | 112 | 137 | 162 |

Other widths and larger sizes are available.

T 20

| z | dk (mm) | do (mm) | ed (BxH) (mm) | dv (mm) | dmax (mm) | Hub (BxH) (mm) |
|----|---------|---------|---------------|---------|-----------|----------------|
| 15 | 92,65 | 98,49 | * | 12H7 | 63 | 60 x 10 |
| 16 | 99,00 | 101,86 | * | 12H7 | 69 | 70 x 10 |
| 17 | 105,35 | 108,23 | * | 12H7 | 75 | 70 x 10 |
| 18 | 111,75 | 114,59 | * | 12H7 | 82 | 70 x 10 |
| 19 | 118,10 | 120,96 | * | 12H7 | 88 | 80 x 10 |
| 20 | 124,45 | 127,32 | * | 16H7 | 95 | 90 x 10 |
| 21 | 130,85 | 133,69 | * | 16H7 | 101 | 90 x 10 |
| 22 | 137,20 | 140,06 | * | 16H7 | 107 | 90 x 10 |
| 23 | 143,55 | 146,42 | * | 16H7 | 114 | 90 x 10 |
| 24 | 149,95 | 152,79 | * | 16H7 | 120 | 95 x 10 |
| 25 | 156,30 | 159,15 | * | 16H7 | 126 | 95 x 10 |
| 26 | 162,65 | 165,52 | * | 16H7 | 133 | 95 x 10 |
| 27 | 169,05 | 171,89 | * | 16H7 | 139 | 110 x 10 |
| 28 | 175,40 | 178,25 | * | 16H7 | 145 | 110 x 10 |
| 29 | 181,75 | 184,62 | * | 16H7 | 152 | 110 x 10 |

| z | dk (mm) | do (mm) | ed (BxH) (mm) | dv (mm) | dmax (mm) | Hub (BxH) (mm) |
|----|---------|---------|---------------|---------|-----------|----------------|
| 30 | 188,15 | 190,99 | * | 16H7 | 158 | 110 x 10 |
| 31 | 194,50 | 197,35 | * | 16H7 | 165 | 110 x 10 |
| 32 | 200,85 | 203,72 | * | 16H7 | 171 | 110 x 10 |
| 33 | 207,25 | 210,08 | * | 16H7 | 177 | 110 x 10 |
| 34 | 213,60 | 216,45 | * | 16H7 | 184 | 110 x 10 |
| 35 | 219,95 | 222,82 | * | 16H7 | 190 | 110 x 10 |
| 36 | 226,35 | 229,18 | * | 18H7 | 196 | 110 x 10 |
| 37 | 232,70 | 235,55 | * | 18H7 | 203 | 110 x 10 |
| 38 | 239,05 | 241,92 | * | 18H7 | 209 | 110 x 10 |
| 39 | 245,40 | 248,28 | * | 18H7 | 215 | 110 x 10 |
| 40 | 251,80 | 254,65 | * | 18H7 | 222 | 110 x 10 |
| 41 | 258,15 | 261,01 | * | 18H7 | 228 | 130 x 10 |
| 42 | 264,50 | 267,38 | * | 18H7 | 235 | 130 x 10 |
| 43 | 270,90 | 273,75 | * | 18H7 | 241 | 130 x 10 |
| 44 | 277,25 | 280,11 | * | 18H7 | 247 | 130 x 10 |

T 20

| z | dk (mm) | do (mm) | ed (BxH) (mm) | dv (mm) | dmax (mm) | Hub (BxH) (mm) |
|----|---------|---------|---------------|---------|-----------|----------------|
| 45 | 283,60 | 286,48 | * | 18H7 | 254 | 130 x 10 |
| 46 | 290,00 | 292,85 | * | 18H7 | 260 | 130 x 10 |
| 47 | 296,35 | 299,21 | * | 18H7 | 266 | 130 x 10 |
| 48 | 302,70 | 305,58 | * | 18H7 | 273 | 130 x 10 |
| 49 | 309,10 | 311,94 | * | 20H7 | 279 | 130 x 10 |
| 50 | 315,45 | 318,31 | * | 20H7 | 285 | 140 x 10 |
| 51 | 321,80 | 324,68 | * | 20H7 | 292 | 140 x 10 |
| 52 | 328,20 | 331,04 | * | 20H7 | 298 | 140 x 10 |
| 53 | 334,55 | 337,41 | * | 20H7 | 305 | 140 x 10 |
| 54 | 340,90 | 343,77 | * | 20H7 | 311 | 140 x 10 |
| 55 | 347,30 | 350,14 | * | 20H7 | 317 | 140 x 10 |
| 56 | 353,65 | 356,51 | * | 20H7 | 324 | 140 x 10 |
| 57 | 360,00 | 362,87 | * | 20H7 | 330 | 140 x 10 |
| 58 | 366,40 | 369,24 | * | 20H7 | 336 | 140 x 10 |
| 59 | 372,75 | 375,61 | * | 20H7 | 343 | 140 x 10 |
| 60 | 379,10 | 381,97 | * | 20H7 | 349 | 140 x 10 |
| 61 | 385,50 | 388,34 | * | 20H7 | 356 | 140 x 10 |
| 62 | 391,85 | 394,70 | * | 20H7 | 362 | 140 x 10 |
| 63 | 398,20 | 401,07 | * | 20H7 | 368 | 140 x 10 |
| 64 | 404,55 | 407,44 | * | 20H7 | 375 | 140 x 10 |
| 65 | 410,95 | 413,80 | * | 20H7 | 381 | 140 x 10 |
| 66 | 417,30 | 420,17 | * | 20H7 | 387 | 140 x 10 |
| 67 | 423,65 | 426,54 | * | 20H7 | 394 | 140 x 10 |
| 68 | 430,05 | 432,90 | * | 20H7 | 400 | 140 x 10 |
| 69 | 436,40 | 439,27 | * | 20H7 | 406 | 140 x 10 |
| 70 | 442,75 | 445,63 | * | 20H7 | 413 | 140 x 10 |
| 71 | 449,15 | 452,00 | * | 20H7 | 419 | 140 x 10 |
| 72 | 455,50 | 458,37 | * | 20H7 | 426 | 140 x 10 |
| 73 | 461,85 | 464,73 | * | 30H7 | 432 | 160 x 10 |
| 74 | 468,25 | 471,10 | * | 30H7 | 438 | 160 x 10 |
| 75 | 474,60 | 477,46 | * | 30H7 | 445 | 160 x 10 |
| 76 | 480,95 | 483,83 | * | 30H7 | 451 | 160 x 10 |
| 77 | 487,35 | 490,20 | * | 30H7 | 457 | 160 x 10 |
| 78 | 493,70 | 496,56 | * | 30H7 | 464 | 160 x 10 |
| 79 | 500,05 | 502,93 | * | 30H7 | 470 | 160 x 10 |
| 80 | 506,45 | 509,30 | * | 30H7 | 471 | |
| 81 | 512,80 | 515,66 | * | 30H7 | 478 | |
| 82 | 519,15 | 522,03 | * | 30H7 | 484 | |
| 83 | 525,55 | 528,39 | * | 30H7 | 491 | |
| 84 | 531,90 | 534,76 | * | 30H7 | 497 | |
| 85 | 538,25 | 541,13 | * | 30H7 | 503 | |
| 86 | 544,65 | 547,49 | * | 30H7 | 510 | |
| 87 | 551,00 | 553,86 | * | 30H7 | 516 | |
| 88 | 557,35 | 560,23 | * | 30H7 | 522 | |
| 89 | 563,70 | 566,59 | * | 30H7 | 529 | |

| z | dk (mm) | do (mm) | ed (BxH) (mm) | dv (mm) | dmax (mm) | Hub (BxH) (mm) |
|-----|---------|---------|---------------|---------|-----------|----------------|
| 90 | 570,10 | 572,96 | * | 30H7 | 535 | |
| 91 | 576,45 | 579,32 | * | 30H7 | 541 | |
| 92 | 582,80 | 585,69 | * | 30H7 | 548 | |
| 93 | 589,20 | 592,06 | * | 30H7 | 554 | |
| 94 | 595,55 | 598,42 | * | 30H7 | 561 | |
| 95 | 601,90 | 604,79 | * | 40H7 | 567 | |
| 96 | 608,30 | 611,15 | * | 40H7 | 573 | |
| 97 | 614,65 | 617,52 | * | 40H7 | 580 | |
| 98 | 621,00 | 623,89 | * | 40H7 | 586 | |
| 99 | 627,40 | 630,25 | * | 40H7 | 592 | |
| 100 | 633,75 | 636,62 | * | 40H7 | 599 | |
| 101 | 640,10 | 642,99 | * | 40H7 | 605 | |
| 102 | 646,50 | 649,35 | * | 40H7 | 612 | |
| 103 | 652,85 | 655,72 | * | 40H7 | 618 | |
| 104 | 659,20 | 662,08 | * | 40H7 | 624 | |
| 105 | 665,60 | 668,45 | * | 40H7 | 631 | |
| 106 | 671,95 | 674,82 | * | 40H7 | 637 | |
| 107 | 678,30 | 681,18 | * | 40H7 | 643 | |
| 108 | 684,70 | 687,55 | * | 40H7 | 650 | |
| 109 | 691,05 | 693,92 | * | 40H7 | 656 | |
| 110 | 697,40 | 700,28 | * | 40H7 | 662 | |
| 111 | 703,80 | 706,65 | * | 40H7 | 669 | |
| 112 | 710,15 | 713,01 | * | 40H7 | 675 | |
| 113 | 716,50 | 719,38 | * | 40H7 | 682 | |
| 114 | 722,85 | 725,75 | * | 40H7 | 688 | |

* On request