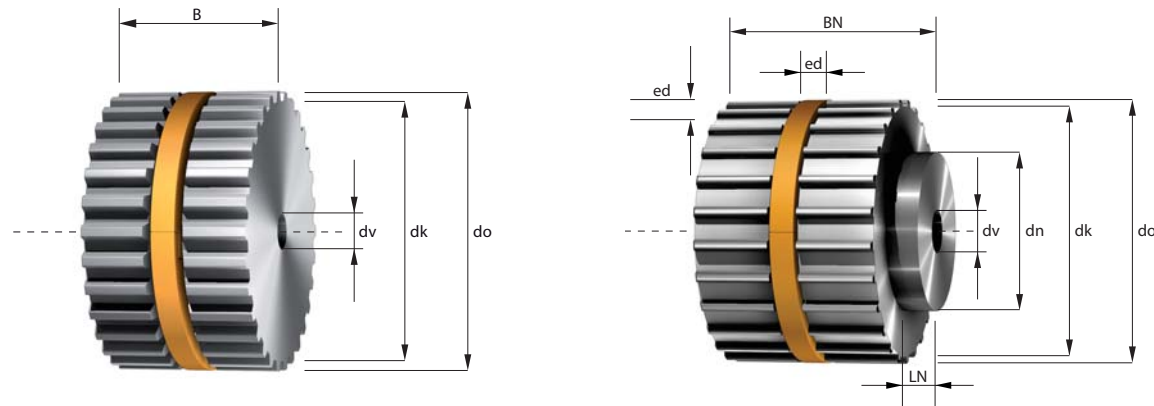


Synchronising pulleys easy drive® for cylindrical bore AT-profile



- z = Number of teeth
- dk = Outside diameter
- do = Pitch diameter
- ed = easy drive® groove
- dv = Diameter of pre-bore
- dmax = max. bore diameter without feather key groove
- dh = Hub diameter
- wh = Hub width

Min. diameter of the tension rollers without contra-flexure 18 mm, with contra-flexure 50 mm.

| | | | | | | | | |
|--------------------------------|----|----|----|----|----|----|-----|-----|
| Belt width = b (mm) | 16 | 20 | 25 | 32 | 50 | 75 | 100 | 150 |
| Total width = B (mm) | 18 | 22 | 27 | 34 | 52 | 77 | 102 | 152 |
| Total width with hub = BN (mm) | 24 | 28 | 33 | 40 | 58 | 83 | 108 | 158 |

Other widths and larger sizes are available.

AT 5

| z | dk (mm) | do (mm) | ed (BxH) (mm) | dv (mm) | dmax (mm) | Hub (BxH) (mm) |
|----|---------|---------|---------------|---------|-----------|----------------|
| 14 | 21,05 | 22,23 | 5,85 x 4 | 6H7 | 6 | 14 x 6 |
| 15 | 22,65 | 23,87 | 5,85 x 4 | 6H7 | 7 | 16 x 6 |
| 16 | 24,24 | 25,46 | 5,85 x 4 | 6H7 | 9 | 18 x 6 |
| 17 | 25,84 | 27,06 | 5,85 x 4 | 6H7 | 10 | 18 x 6 |
| 18 | 27,43 | 28,65 | 5,85 x 4 | 6H7 | 12 | 20 x 6 |
| 19 | 29,02 | 30,24 | 5,85 x 4 | 6H7 | 14 | 22 x 6 |
| 20 | 30,60 | 31,83 | 5,85 x 5 | 6H7 | 10 | 24 x 6 |
| 21 | 32,20 | 33,42 | 5,85 x 5 | 6H7 | 12 | 24 x 6 |
| 22 | 33,79 | 35,01 | 5,85 x 5 | 6H7 | 13 | 24 x 6 |
| 23 | 35,39 | 36,61 | 5,85 x 5 | 8H7 | 15 | 24 x 6 |
| 24 | 36,98 | 38,20 | 5,85 x 5 | 8H7 | 16 | 26 x 6 |
| 25 | 38,57 | 39,79 | 5,85 x 5 | 8H7 | 19 | 26 x 6 |
| 26 | 40,16 | 41,38 | 5,85 x 5 | 8H7 | 20 | 26 x 6 |
| 27 | 41,75 | 42,97 | 5,85 x 5 | 8H7 | 22 | 30 x 6 |
| 28 | 43,34 | 44,56 | 5,85 x 5 | 8H7 | 23 | 32 x 6 |

| z | dk (mm) | do (mm) | ed (BxH) (mm) | dv (mm) | dmax (mm) | Hub (BxH) (mm) |
|----|---------|---------|---------------|---------|-----------|----------------|
| 29 | 44,93 | 46,15 | 5,85 x 5 | 8H7 | 25 | 32 x 6 |
| 30 | 46,53 | 47,75 | 5,85 x 5 | 8H7 | 27 | 34 x 6 |
| 31 | 48,12 | 49,34 | 5,85 x 5 | 8H7 | 28 | 34 x 6 |
| 32 | 49,71 | 50,93 | 5,85 x 5 | 8H7 | 30 | 38 x 6 |
| 33 | 51,30 | 52,52 | 5,85 x 5 | 8H7 | 31 | 38 x 6 |
| 34 | 52,89 | 54,11 | 5,85 x 5 | 8H7 | 33 | 38 x 6 |
| 35 | 54,48 | 55,7 | 5,85 x 5 | 8H7 | 34 | 38 x 6 |
| 36 | 56,08 | 57,3 | 5,85 x 5 | 8H7 | 36 | 38 x 6 |
| 37 | 57,67 | 58,89 | 5,85 x 5 | 8H7 | 38 | 38 x 6 |
| 38 | 59,26 | 60,48 | 5,85 x 5 | 8H7 | 39 | 38 x 6 |
| 39 | 60,85 | 62,07 | 5,85 x 5 | 8H7 | 40 | 38 x 6 |
| 40 | 62,44 | 63,66 | 5,85 x 5 | 8H7 | 40 | 40 x 6 |
| 41 | 64,03 | 65,25 | 5,85 x 5 | 8H7 | 40 | 40 x 6 |
| 42 | 65,63 | 66,85 | 5,85 x 5 | 8H7 | 40 | 40 x 6 |
| 43 | 67,22 | 68,44 | 5,85 x 5 | 8H7 | 42 | 40 x 6 |

- = Standard ring sizes in stock
- = Stock-pulleys in width 27 mm, 34 mm + 52 mm

AT 5

| z | dk (mm) | do (mm) | ed (BxH) (mm) | dv (mm) | dmax (mm) | Hub (BxH) (mm) |
|----|---------|---------|---------------|---------|-----------|----------------|
| 44 | 68,81 | 70,03 | 5,85 x 5 | 8H7 | 43 | 50 x 6 |
| 45 | 70,40 | 71,62 | 5,85 x 5 | 8H7 | 45 | 50 x 6 |
| 46 | 71,99 | 73,21 | 5,85 x 5 | 8H7 | 47 | 50 x 6 |
| 47 | 73,58 | 74,80 | 5,85 x 5 | 8H7 | 48 | 50 x 6 |
| 48 | 75,19 | 76,39 | 5,85 x 5 | 8H7 | 50 | 50 x 6 |
| 49 | 76,77 | 77,99 | 5,85 x 5 | 8H7 | 50 | 50 x 6 |
| 50 | 78,36 | 79,58 | 5,85 x 5 | 8H7 | 53 | 50 x 6 |
| 51 | 79,95 | 81,17 | 5,85 x 5 | 8H7 | 55 | 50 x 6 |
| 52 | 81,54 | 82,76 | 5,85 x 5 | 8H7 | 57 | 50 x 6 |
| 53 | 83,13 | 84,35 | 5,85 x 5 | 8H7 | 58 | 50 x 6 |
| 54 | 84,72 | 85,94 | 5,85 x 5 | 8H7 | 60 | 50 x 6 |
| 55 | 86,32 | 87,54 | 5,85 x 5 | 8H7 | 61 | 50 x 6 |
| 56 | 87,91 | 89,13 | 5,85 x 5 | 8H7 | 63 | 50 x 6 |
| 57 | 89,50 | 90,72 | 5,85 x 5 | 8H7 | 63 | 50 x 6 |
| 58 | 91,09 | 92,31 | 5,85 x 5 | 8H7 | 66 | 50 x 6 |
| 59 | 92,68 | 93,90 | 5,85 x 5 | 8H7 | 68 | 50 x 6 |
| 60 | 94,27 | 95,49 | 5,85 x 5 | 8H7 | 69 | 65 x 6 |
| 61 | 95,86 | 97,08 | 5,85 x 5 | 8H7 | 71 | 65 x 6 |
| 62 | 97,46 | 98,68 | 5,85 x 5 | 8H7 | 72 | 65 x 6 |
| 63 | 99,05 | 100,27 | 5,85 x 5 | 8H7 | 74 | 65 x 6 |
| 64 | 100,64 | 101,86 | 5,85 x 5 | 8H7 | 76 | 65 x 6 |
| 65 | 102,23 | 103,45 | 5,85 x 5 | 8H7 | 77 | 65 x 6 |
| 66 | 103,89 | 105,04 | 5,85 x 5 | 8H7 | 79 | 65 x 6 |
| 67 | 105,41 | 106,63 | 5,85 x 5 | 8H7 | 80 | 65 x 6 |
| 68 | 107,01 | 108,23 | 5,85 x 5 | 8H7 | 82 | 65 x 6 |
| 69 | 108,60 | 109,82 | 5,85 x 5 | 8H7 | 84 | 65 x 6 |
| 70 | 110,19 | 111,41 | 5,85 x 5 | 8H7 | 85 | 65 x 6 |
| 71 | 111,78 | 113,00 | 5,85 x 5 | 8H7 | 87 | 65 x 6 |
| 72 | 113,37 | 114,59 | 5,85 x 5 | 8H7 | 88 | 80 x 6 |
| 73 | 114,96 | 116,18 | 5,85 x 5 | 10H7 | 90 | 80 x 6 |
| 74 | 116,55 | 117,77 | 5,85 x 5 | 10H7 | 92 | 80 x 6 |
| 75 | 118,15 | 119,37 | 5,85 x 5 | 10H7 | 93 | 80 x 6 |
| 76 | 119,74 | 120,96 | 5,85 x 5 | 10H7 | 95 | 80 x 6 |
| 77 | 121,33 | 122,55 | 5,85 x 5 | 10H7 | 96 | 80 x 6 |
| 78 | 122,92 | 124,14 | 5,85 x 5 | 10H7 | 98 | 80 x 6 |
| 79 | 124,51 | 125,73 | 5,85 x 5 | 10H7 | 100 | 80 x 6 |
| 80 | 126,10 | 127,32 | 5,85 x 5 | 10H7 | 101 | 80 x 6 |
| 81 | 127,70 | 128,92 | 5,85 x 5 | 10H7 | 103 | 80 x 6 |
| 82 | 129,29 | 130,51 | 5,85 x 5 | 10H7 | 104 | 80 x 6 |
| 83 | 130,88 | 132,1 | 5,85 x 5 | 10H7 | 106 | 80 x 6 |
| 84 | 132,47 | 133,69 | 5,85 x 5 | 10H7 | 107 | 80 x 6 |
| 85 | 134,06 | 135,28 | 5,85 x 5 | 10H7 | 109 | 80 x 6 |
| 86 | 135,65 | 136,87 | 5,85 x 5 | 10H7 | 111 | 80 x 6 |
| 87 | 137,24 | 138,46 | 5,85 x 5 | 10H7 | 112 | 80 x 6 |
| 88 | 138,84 | 140,06 | 5,85 x 5 | 10H7 | 114 | 80 x 6 |

| z | dk (mm) | do (mm) | ed (BxH) (mm) | dv (mm) | dmax (mm) | Hub (BxH) (mm) |
|-----|---------|---------|---------------|---------|-----------|----------------|
| 89 | 140,43 | 141,65 | 5,85 x 5 | 10H7 | 115 | 80 x 6 |
| 90 | 142,02 | 143,24 | 5,85 x 5 | 10H7 | 117 | 80 x 6 |
| 91 | 143,61 | 144,83 | 5,85 x 5 | 10H7 | 119 | 90 x 6 |
| 92 | 145,20 | 146,42 | 5,85 x 5 | 10H7 | 120 | 90 x 6 |
| 93 | 146,79 | 148,01 | 5,85 x 5 | 10H7 | 122 | 90 x 6 |
| 94 | 148,39 | 149,61 | 5,85 x 5 | 10H7 | 123 | 90 x 6 |
| 95 | 149,98 | 151,2 | 5,85 x 5 | 10H7 | 125 | 90 x 6 |
| 96 | 151,57 | 152,79 | 5,85 x 5 | 10H7 | 127 | 90 x 6 |
| 97 | 153,16 | 154,38 | 5,85 x 5 | 10H7 | 128 | 90 x 6 |
| 98 | 154,75 | 155,97 | 5,85 x 5 | 10H7 | 130 | 90 x 6 |
| 99 | 156,34 | 157,56 | 5,85 x 5 | 10H7 | 131 | 90 x 6 |
| 100 | 157,93 | 159,15 | 5,85 x 5 | 10H7 | 133 | 90 x 6 |
| 101 | 159,53 | 160,75 | 5,85 x 5 | 12H7 | 135 | 95 x 6 |
| 102 | 161,12 | 162,34 | 5,85 x 5 | 12H7 | 136 | 95 x 6 |
| 103 | 162,71 | 163,93 | 5,85 x 5 | 12H7 | 138 | 95 x 6 |
| 104 | 164,30 | 165,52 | 5,85 x 5 | 12H7 | 139 | 95 x 6 |
| 105 | 165,89 | 167,11 | 5,85 x 5 | 12H7 | 141 | 95 x 6 |
| 106 | 167,48 | 168,7 | 5,85 x 5 | 12H7 | 142 | 95 x 6 |
| 107 | 169,08 | 170,3 | 5,85 x 5 | 12H7 | 144 | 95 x 6 |
| 108 | 170,67 | 171,89 | 5,85 x 5 | 12H7 | 146 | 95 x 6 |
| 109 | 172,26 | 173,48 | 5,85 x 5 | 12H7 | 147 | 110 x 6 |
| 110 | 173,85 | 175,07 | 5,85 x 5 | 12H7 | 149 | 110 x 6 |
| 111 | 175,44 | 176,66 | 5,85 x 5 | 12H7 | 150 | 110 x 6 |
| 112 | 177,03 | 178,25 | 5,85 x 5 | 12H7 | 152 | 110 x 6 |
| 113 | 178,63 | 179,85 | 5,85 x 5 | 12H7 | 154 | 110 x 6 |
| 114 | 180,22 | 181,44 | 5,85 x 5 | 12H7 | 155 | 110 x 6 |